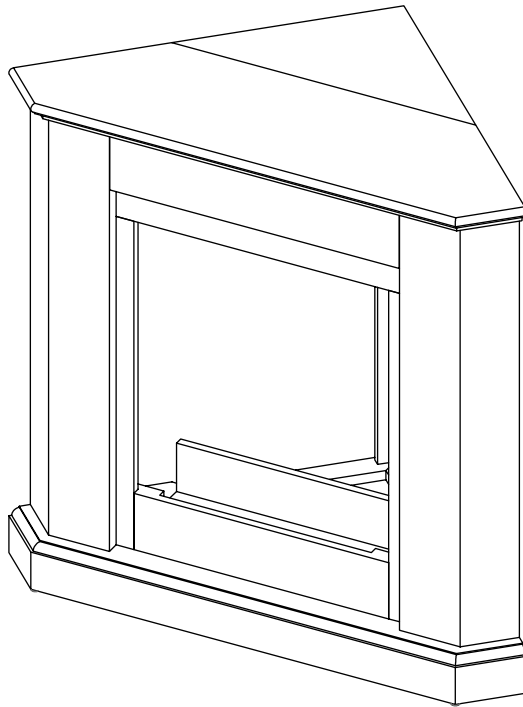


# FIREPLACE MANTEL

ASSEMBLY INSTRUCTIONS

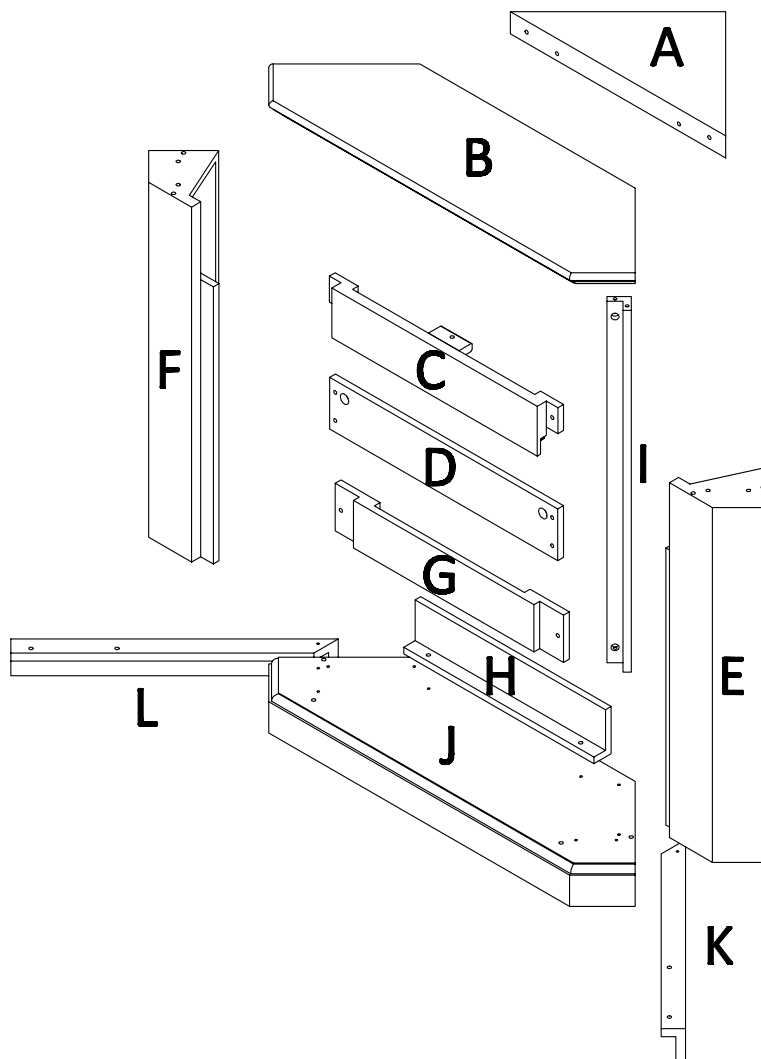
MT223B



**If you have a problem with this product, DO NOT RETURN.  
Call our customer service, Tel: or  
Email:**



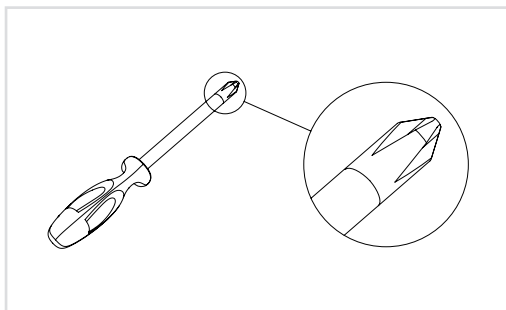
# PARTS LIST

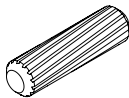
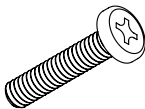
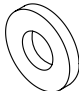
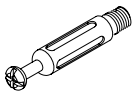



# PARTS AND ACCESSORIES

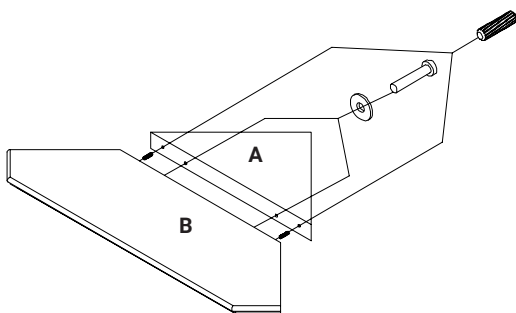
## Tools required:

A screwdriver will be needed.



<b>10x</b>  ø 8 x 30 mm	<b>25x</b>  M6 x 30 mm	<b>25x</b> 
<b>4x</b> 	<b>4x</b> 	

# 01



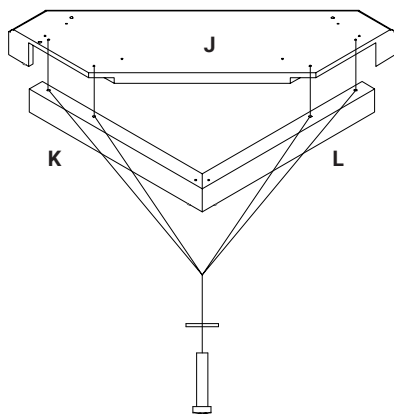
ø 8 x 30 mm



M6 x 30 mm



# 02

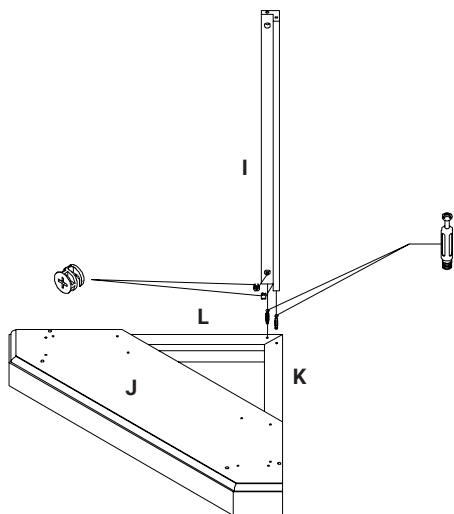


M6 x 30 mm

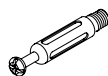


Carry out this assembly step on both sides

# 03



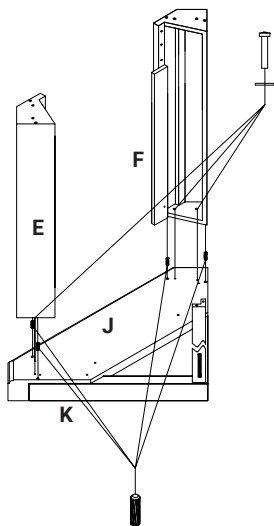
2x



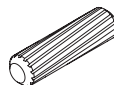
2x



# 04



4x



ø 8 x 30 mm

4x



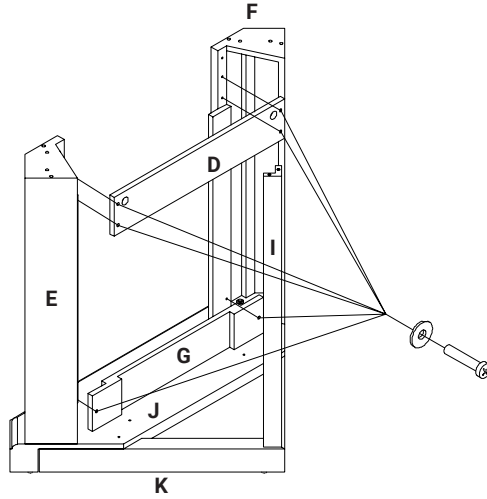
M6 x 30 mm

4x



Carry out this assembly step on both sides

# 5



6x

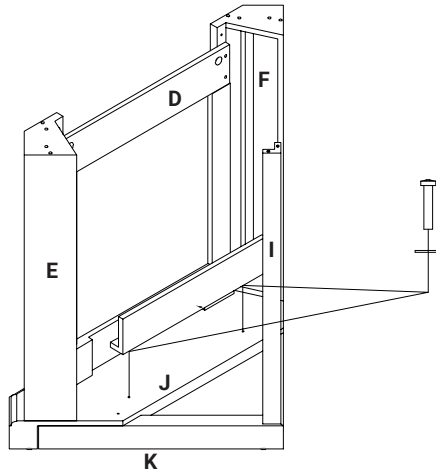


6x



Carry out this assembly step on both sides

# 06



2x



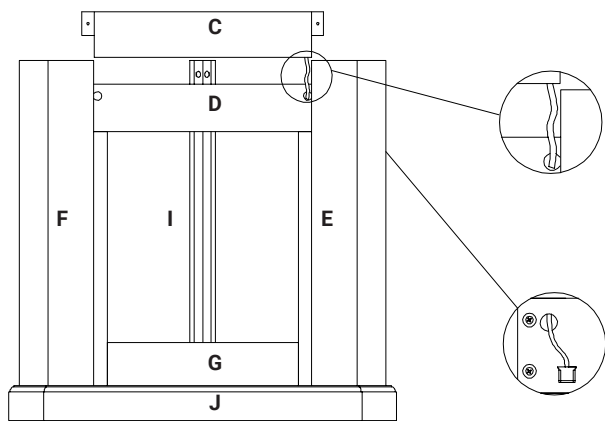
M6 x 30 mm

2x

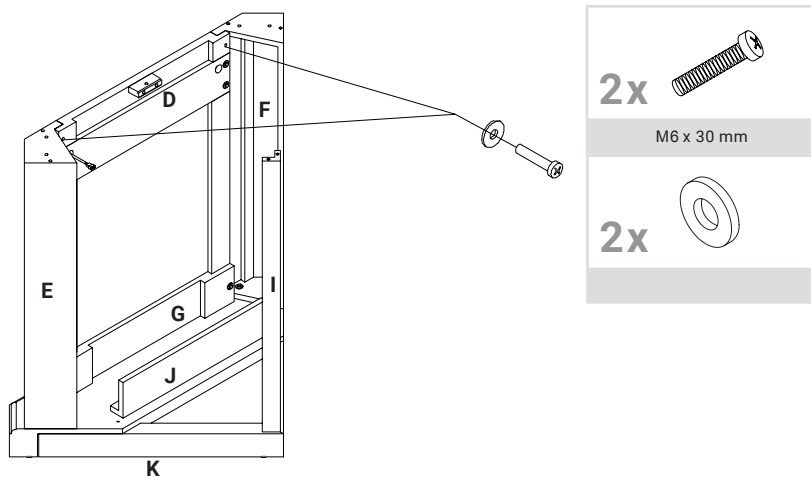


Carry out this assembly step on both sides

# 07



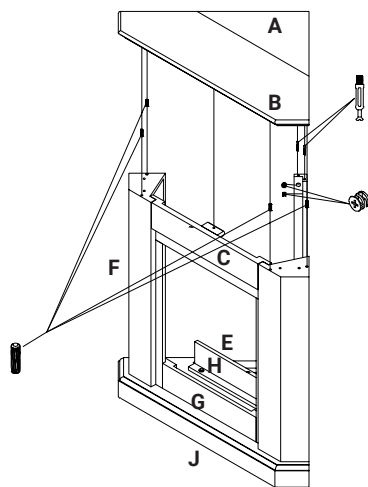
# 08



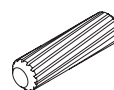
Carry out this assembly step on both sides



# 09

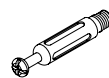


4x



∅ 8 x 30 mm

2x

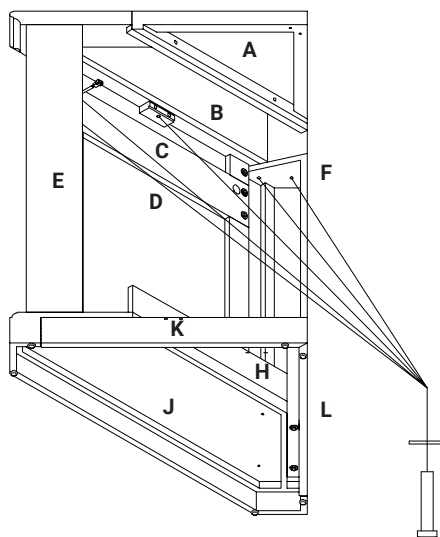


2x

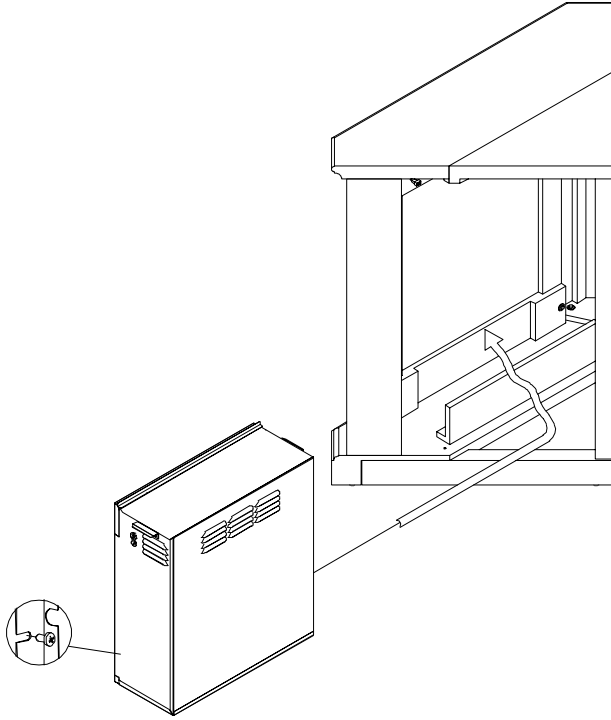


Carry out this assembly step on both sides

# 10



11



---

**Distributor:**

**E-mail :**